

BALANCED PRESSURE THERMOSTATIC STEAM TRAP

Clean Steam Trap TSS6A (1/2" – 3/4" ASME BPE)

DESCRIPTION

The TSS6A all stainless steel thermostatic steam traps and air vents are specifically designed for use in reactors, sterilizers and distribution lines in clean and pure steam systems.

Their small size makes them ideal for use with a wide variety of these equipments.

MAIN FEATURES

- Modulating discharge.
- Wide range of connections options.
- Excellent air discharge.
- Simple and compact design.

STANDARD SURFACE FINISH

- Internal wetted parts: $\leq 0,51$ micron Ra – SF1.
- External: $\leq 0,76$ micron Ra – SF3.
- Other surface conditions see IS PV20.00 E – Technical information.
- Ultrasonic cleaning.

OPTIONS: Special designs under request.

USE: Saturated clean steam.

AVAILABLE MODELS: TSS6A Angle inlet and outlet.
TSS6AI Angle inlet, straight outlet.
TSS6AO Straight inlet, angle outlet.

SIZES: 1/2" and 3/4".

CONNECTIONS: ASME BPE.
Clamp ferrules.

PACKAGING: Assembling and packaging in a clean room certified according to ISO 14644-1.
The product is end capped and sealed with recyclable thermo-shrinkable plastic film, to avoid contamination.

INSTALLATION: Vertical installation.

PMA	Max. allowable pressure	10 bar
TMA	Max. allowable temperature	177 °C
PMO	Max. operating pressure	6 bar
TMO	Max. operating temperature	165 °C



TSS6A



TSS6AI



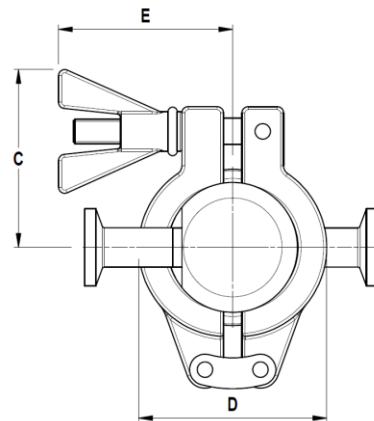
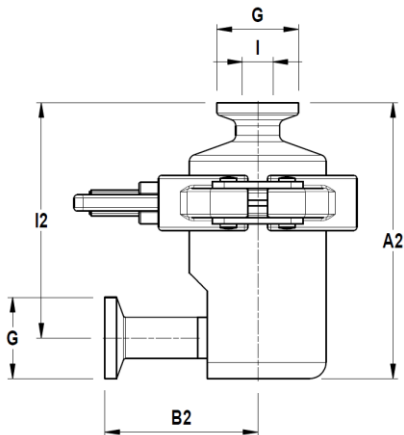
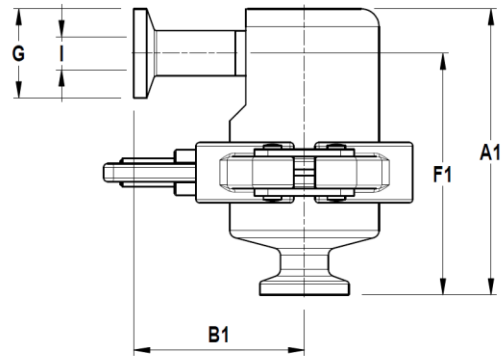
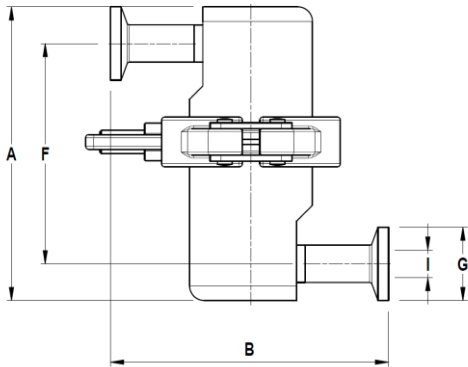
TSS6AO

FLOW RATE CAPACITY (kg/h)		DIFFERENTIAL PRESSURE (bar)								
MODEL	SIZE	0,2	0,3	0,5	1	1,5	2	3	4	6
		*TSS6A (A)	1/2" to 3/4"	320	380	410	550	680	909	1081
*TSS6A (B)	1/2" to 3/4"	470	495	518	697	792	1026	1231	1436	1682

A = Condensate discharge at 5 °C below saturation temperature; B = Cold water capacity around 20 °C;
* Also valid for TSS6AI and TSS6AO.

DIMENSIONS (mm) ASME BPE

SIZE	A	A1	A2	B	B1	B2	C	D	E	F	F1	F2	G	I	WEIGHT (kg)
1/2"	100	80,5	85	95	48	47	57,5	61	56,5	75	68	72,5	25	9,4	1,2
3/4"	100	80,5	85	95	48	47	57,5	61	56,5	75	68	72,5	25	15,75	1,2



MATERIALS

POS. N°	DESIGNATION	MATERIAL
1	Body	AISI 316L / 1.4404
2	Cover	AISI 316L / 1.4404
3	* Thermostat	AISI 316L / 1.4404
4	* Gasket	PTFE / TFM® Envelope gasket **
5	Safety clamp	AISI 316 / 1.4401

* Available spare parts.

** FDA/USP Class VI seals certificate on request.

