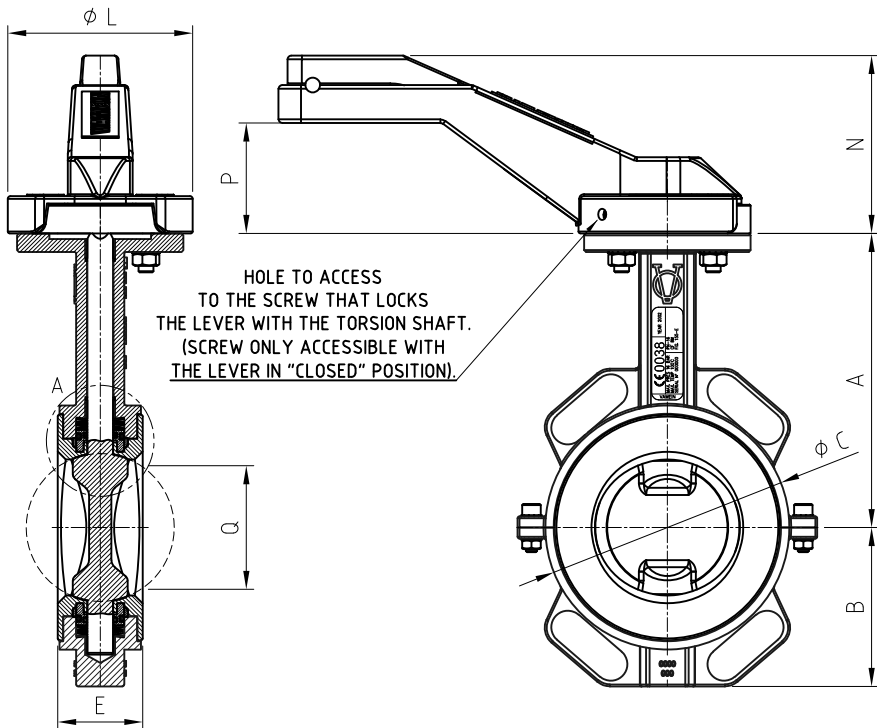
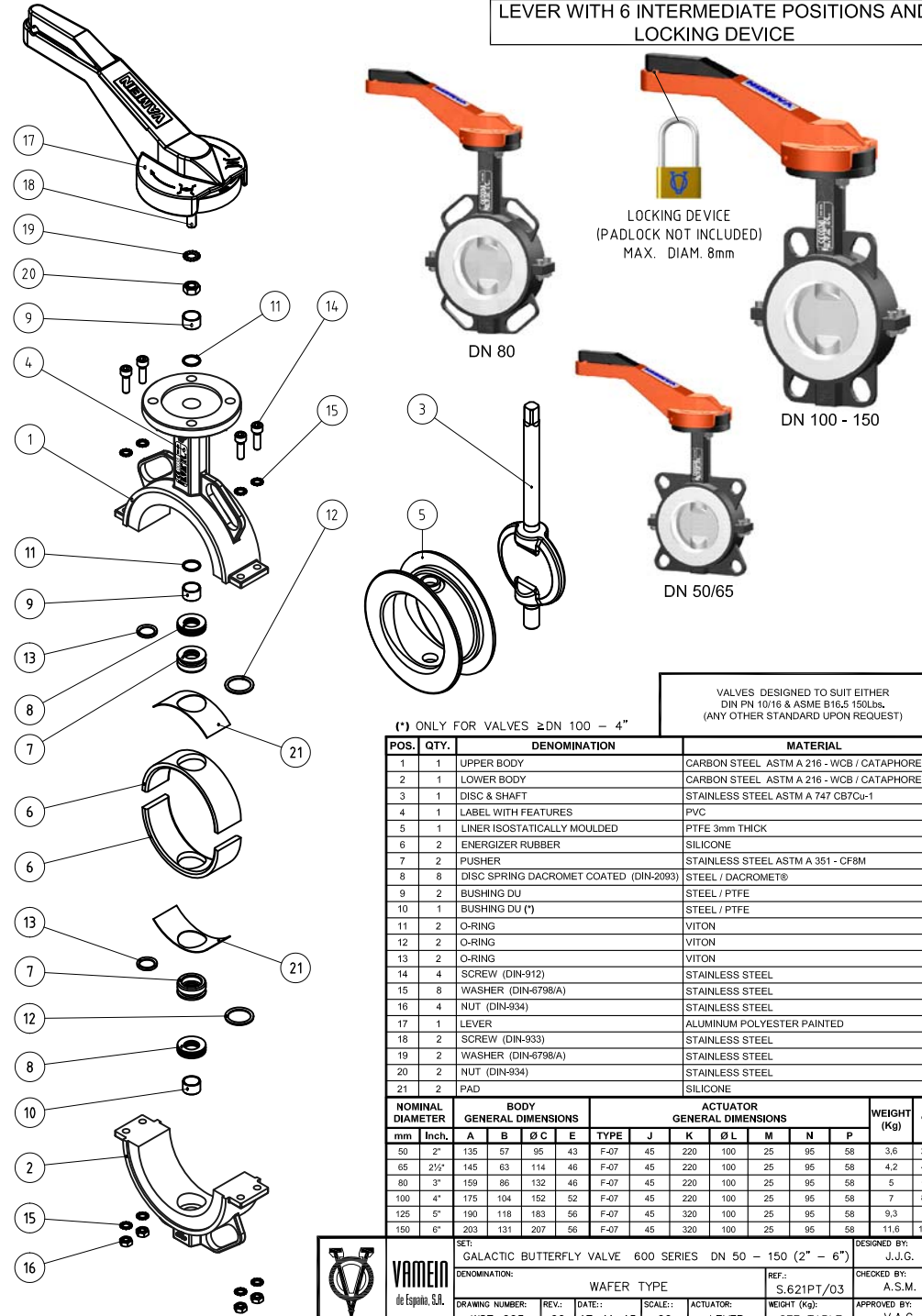
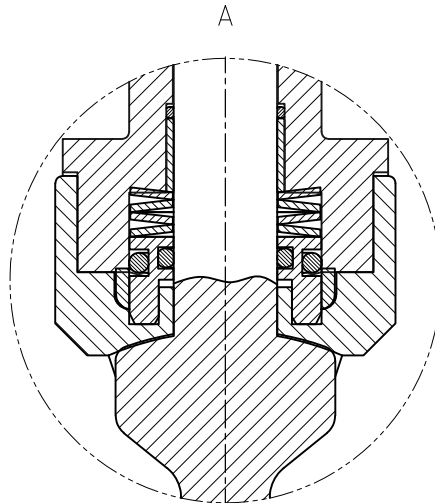
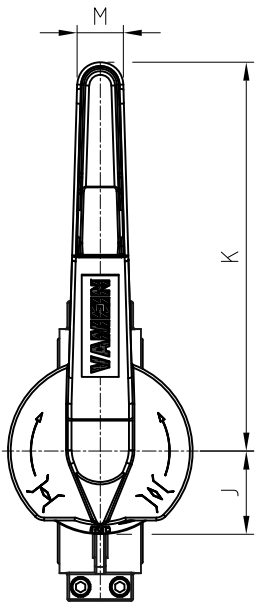


LEVER WITH 6 INTERMEDIATE POSITIONS AND LOCKING DEVICE



HOLE TO ACCESS TO THE SCREW THAT LOCKS THE LEVER WITH THE TORSION SHAFT. (SCREW ONLY ACCESSIBLE WITH THE LEVER IN "CLOSED" POSITION).

(ISO-5752/20)  
(EN 558/20)




VALVES DESIGNED TO SUIT EITHER  
DIN PN 10/16 & ASME B16.5 150lbs.  
(ANY OTHER STANDARD UPON REQUEST)

(\*) ONLY FOR VALVES ≥DN 100 - 4"

POS.	QTY.	DENOMINATION	MATERIAL
1	1	UPPER BODY	CARBON STEEL ASTM A 216 - WCB / CATAPHORESIS
2	1	LOWER BODY	CARBON STEEL ASTM A 216 - WCB / CATAPHORESIS
3	1	DISC & SHAFT	STAINLESS STEEL ASTM A 747 CB7Cu-1
4	1	LABEL WITH FEATURES	PVC
5	1	LINER ISOSTATICALLY MOULDED	PTFE 3mm THICK
6	2	ENERGIZER RUBBER	SILICONE
7	2	PUSHER	STAINLESS STEEL ASTM A 351 - CF8M
8	8	DISC SPRING DACROMET COATED (DIN-2093)	STEEL / DACROMET®
9	2	BUSHING DU	STEEL / PTFE
10	1	BUSHING DU (*)	STEEL / PTFE
11	2	O-RING	VITON
12	2	O-RING	VITON
13	2	O-RING	VITON
14	4	SCREW (DIN-912)	STAINLESS STEEL
15	8	WASHER (DIN-6798/A)	STAINLESS STEEL
16	4	NUT (DIN-934)	STAINLESS STEEL
17	1	LEVER	ALUMINIUM POLYESTER PAINTED
18	2	SCREW (DIN-933)	STAINLESS STEEL
19	2	WASHER (DIN-6798/A)	STAINLESS STEEL
20	2	NUT (DIN-934)	STAINLESS STEEL
21	2	PAD	SILICONE

NOMINAL DIAMETER	BODY GENERAL DIMENSIONS					ACTUATOR GENERAL DIMENSIONS					WEIGHT (Kg)	"α"		
	A	B	ØC	E	TYPE	J	ØL	M	N	P				
50	2"	135	57	95	43	F-07	45	220	100	25	95	58	3,6	27,4
65	2½"	145	63	114	46	F-07	45	220	100	25	95	58	4,2	46,6
80	3"	159	86	132	46	F-07	45	220	100	25	95	58	5	66,1
100	4"	175	104	152	52	F-07	45	220	100	25	95	58	7	85,5
125	5"	190	118	183	56	F-07	45	320	100	25	95	58	9,3	110
150	6"	203	131	207	56	F-07	45	320	100	25	95	58	11,6	140,3


**VAMEIN**  
de España, S.L.

SET: GALACTIC BUTTERFLY VALVE 600 SERIES DN 50 - 150 (2" - 6")  
 DENOMINATION: WAFER TYPE  
 REF.: S.621PT/03

DRAWING NUMBER: WST-003  
 REV.: 00  
 DATE: 17-11-15  
 SCALE: 00  
 ACTUATOR: LEVER  
 WEIGHT (Kg): SEE TABLE

DESIGNED BY: J.J.G.  
 CHECKED BY: A.S.M.  
 APPROVED BY: V.A.G.

Bench marks in mm. VAMEIN DE ESPAÑA, SA. reserves the right to make changes without notice.