

DIAPHRAGM SENSING PRESSURE REDUCING VALVE PRV30SS 1" – 1 1/4"; DN 25 – DN 32

DESCRIPTION

The ADCA PRV30 series **direct acting, spring-loaded diaphragm sensing, balanced plug** pressure reducing valves, are designed for use on compressed air, water and other gases or liquids compatible with the construction materials.

They are suitable for pressure reducing stations at the point of use on laundry machines, dyeing, food industries, sterilizers, etc.

MAIN FEATURES

Compact design.
Balanced valve.



PN40

PN63

OPTIONS: Different soft valves for water and gases.
Relieving-Internal relief valve to allow reduce outlet pressure in a no-flow condition.
Outlet 1/4" gauge connection on body.
Regulating screw with top cap.

USE: Compressed air, water and other gases and liquids compatible with the construction.

AVAILABLE MODELS: PRV30SS – Stainless steel.

SIZES: 1" and 1 1/4".
DN 25 and DN 32.

CONNECTIONS: Female screwed ISO 7/1 Rp (BS 21) or NPT.
Flanged EN 1092-1 PN40-PN63.
Special flanges upon request.

INSTALLATION: Horizontal installation.
An "Y" strainer should be provided upstream the valve.
See IMI, installation and maintenance instructions.

ORDER REQUIREMENTS: Type of fluid.
Maximum operating temperature.
Inlet pressure and required outlet pressure
Capacity (maximum and minimum).

CAPACITIES

Valve size	25	32
Kvs (m ³ /h)	6,5	7,2

LIMITING CONDITIONS

Valve model	PRV30SS
Body design conditions	PN63
Max. upstream pressure	50 bar
Max. downstream pressure	15 bar
Min. downstream pressure	0,2 bar
Max. design temperature *	80 °C
Max. recommended reducing ratio	40:1

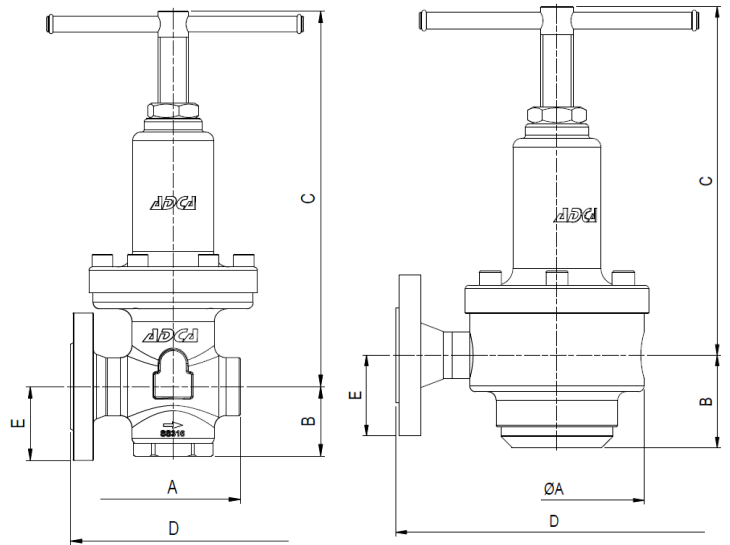
* Other on request.

CE MARKING – GROUP 2 (PED – European Directive)

PN16-PN63	Category
DN 25 to 32	SEP

DIMENSIONS (mm) – CASTED VERSION							
Screwed				Flanged PN16/40			
Size	A	B	C	Wgt. (kg)	D *	E	Wgt. (kg)
1" – DN 25	105	60	295	6,3	160	57,5	8,5

* Different lengths and connections on request.



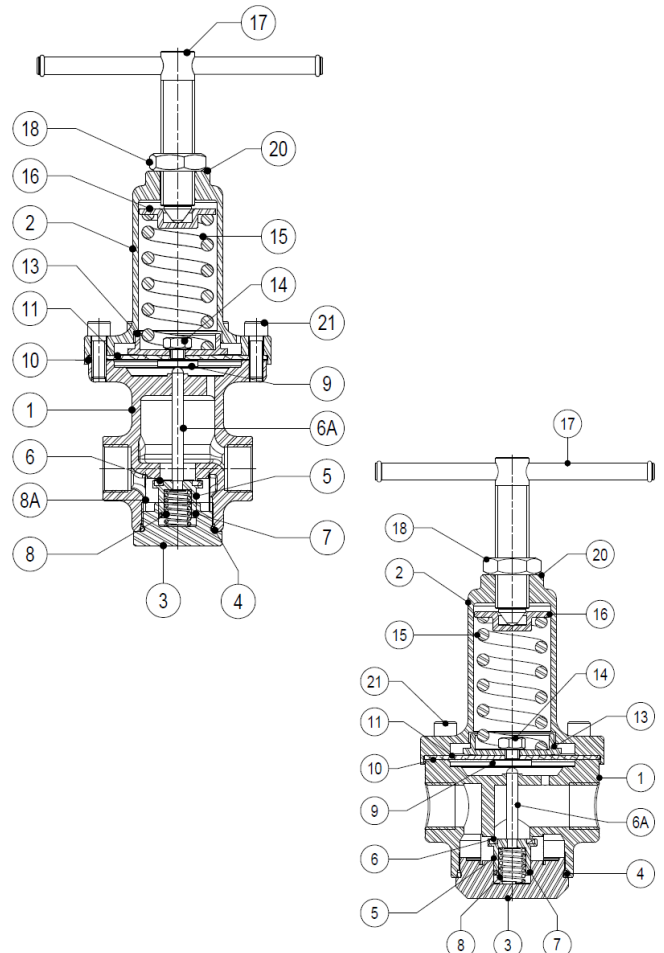
DIMENSIONS (mm) – BARSTOCK VERSION																
Screwed				Flanged PN16/40			Flanged PN63/100			ANSI 150 lb			ANSI 300 lb			
Size	A	B	C	Wgt. (kg)	D *	E	Wgt. (kg)	D *	E	Wgt. (kg)	D *	E	Wgt. (kg)	D *	E	Wgt. (kg)
1" – DN 25	125	66	250	7,5	230	58	11	230	70	13	230	54	10,5	230	62	11,5
1 1/4" – DN 32	125	66	250	7,5	260	70	11	260	78	14	260	59	11	260	67	12

* Different lengths on request.

MATERIALS		
POS. N°	DESIGNATION	MATERIAL
1	Valve body	CF8M / 1.4408 (AISI 316 / 1.4401)
2	Top cover	CF8M / 1.4408 (AISI 316 / 1.4401)
3	Seat cover	CF8M / 1.4408 (AISI 316 / 1.4401)
4	* O-ring	NBR
5	* Piston valve	AISI 316 / 1.4401
6	* Valve head	NBR ; EPDM ; PTFE ; etc.
6A	Pushrod	AISI 316 / 1.4401
7	* O-ring	NBR ; EPDM ; PTFE ; etc.
8	* Valve spring	AISI 302 / 1.4300
8A	* Strainer screen	AISI 304 / 1.4301
9	Pusher disc	AISI 304 / 1.4301
10	* Diaphragm	PTFE
11	* Diaphragm	NBR **
13	Spring plate	AISI 304 / 1.4301
14	Nut	Stainless steel A2-70
15	* Adjustment spring	Spring steel
16	Top spring plate	Brass
17	Adjustment screw	AISI 304 / 1.4301
18	Locknut	Stainless steel A2-70
20	Spring id. plate	Aluminium
21	Bolts	Stainless steel A2-70

* Available spare parts. ** Stainless steel on request.

Remarks: All valves have a serial number. In case of non standard valves this number must be supplied if spare parts are ordered.



ORDERING CODES PRV30SS												
Valve model	R30	.	1	W	N	C	R		.			25
PRV30SS – Diaphragm sensing	R30											
Outlet spring range												
N°1 – 0,2 to 1,5 bar			1									
N°2 – 0,3 to 3 bar			2									
N°3 – 0,8 to 8 bar			3									
N°4 – 1,5 to 15 bar			4									
Application												
Water				W								
Gases				G								
Oxygen (degreased)				O								
Seal material												
NBR					N							
EPDM					E							
PTFE					T							
FPM / Viton					V							
Maximum inlet pressure												
30 bar						C						
50 bar a)						D						
Diaphragm material												
Stainless steel (non relieving)							S					
Rubber / PTFE (Relieving or non-relieving)							R					
Gauge port 1/4"												
Without gauge ports								(1)				
Gauge port on the left side (relative to the flow direction)								4				
Gauge port on the right side (relative to the flow direction)								3				
Gauge ports on both sides								2				
Relieving												
Non-relieving								(1)				
Relieving (only for non dangerous gases)								R				
Pipe connection												
Threaded BSP ISO 7/1											A	
Threaded NPT ANSI B1.20.1											C	
Socket weld SW ANSI B16.11											H	
Butt weld BW ANSI B16.25											I	
Flanged EN 1092-1 PN40											N	
Flanged EN 1092-1 PN63											O	
Flanged ANSI B16.5 150 lb											U	
Flanged ANSI B16.5 300 lb											V	
Flanged ANSI B16.5 600 lb											W	
Size												
1" or DN 25												25
1 1/4" or DN 32												32
Special valves / Extras b)												E

(1) Omitted if a standard valve is requested.

a) The 50 bar inlet is available only with spring n° 4.

b) Full description or additional codes have to be added in case of non-standard combination.