

WAFER BALL VALVES MWS1 – MWi1

DESCRIPTION

MWS1 wafer ball valves are isolating valves designed for use on steam, condensate and other gases and liquids compatible with the construction.

The valve is not designed as a control valve and should be used only as an isolating valve, fully open or fully closed. Connections are flanged wafer.



MAIN FEATURES

- Full bore floating ball design.
- Bidirectional.
- Anti blow out proof stem.
- Antistatic device.
- ISO 5211 mounting.

- OPTIONS:** Different sealing materials.
Lever extension for insulation.
- USE:** Steam, gases and liquids compatible with the construction.
- AVAILABLE MODELS:** MWS1 – Carbon steel.
MWi1 – Stainless steel.
- RATING:** PN16.
- SIZES:** DN 15 to DN 150.
- CONNECTIONS:** Flanged EN1092-1 PN16.
- INSTALLATION:** See IMI, installation and maintenance instructions.

| LIMITING CONDITIONS | | | |
|---------------------|---------------|---------------|---------------|
| MWS1 | | MWi1 | |
| ALLOW. PRESS. | RELATED TEMP. | ALLOW. PRESS. | RELATED TEMP. |
| 16 bar | -10 / 60 °C | 16 bar | -10 / 60 °C |
| 14,8 bar | 100 °C | 15 bar | 100 °C |
| 14 bar | 150 °C | 13,7 bar | 150 °C |
| 7 bar | 220 °C | 7 bar | 220 °C |

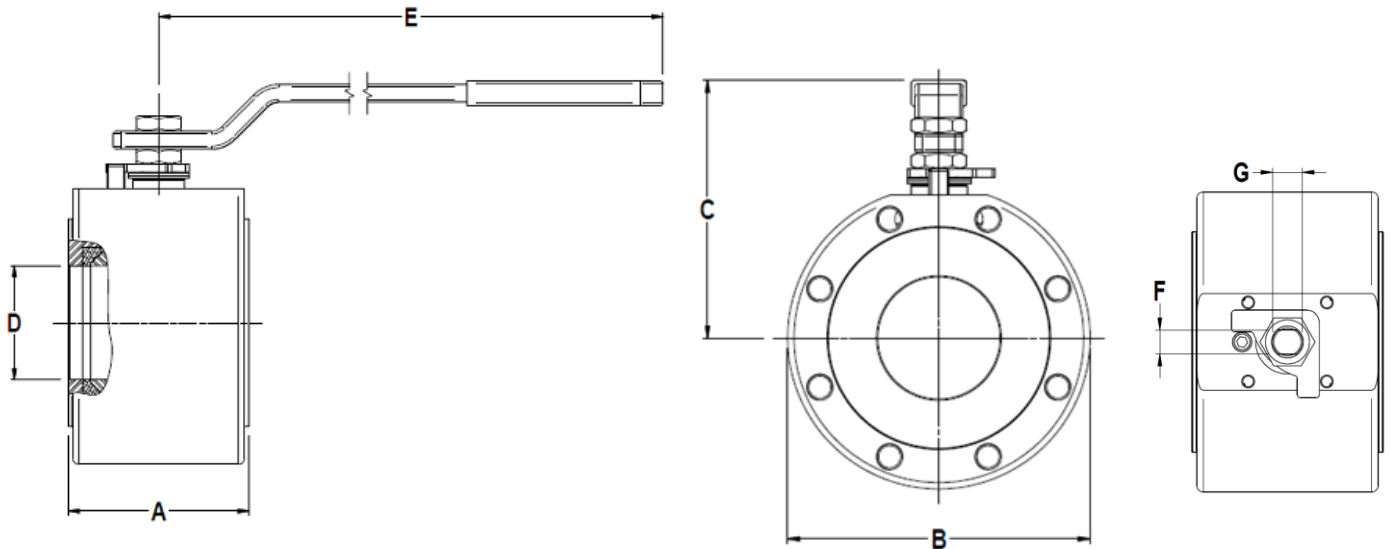
Maximum temperature limited to the valve packing selected;
Valves with soft seat, max. allowable temperature: 200 °C.

| CE MARKING – GROUP 2 (PED – European Directive) | |
|---|---------------|
| PN16 | Category |
| DN 15 to DN 50 | SEP |
| DN 65 to DN 150 | 1 (CE marked) |

DIMENSIONS (mm)

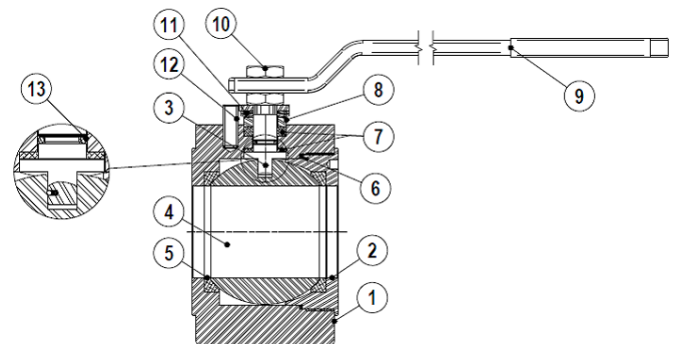
| SIZE DN | A | B | C | D | E | F | G | ISO 5211 | WGT. (kg) |
|---------|-----|-----|-----|-----|-----|-----|-----|----------|-----------|
| 15 | 35 | 88 | 78 | 14 | 150 | / | / | NA | 1,5 |
| 20 | 42 | 98 | 87 | 19 | 185 | 7,5 | M12 | F04 | 2 |
| 25 | 46 | 108 | 91 | 25 | 185 | 7,5 | M12 | F04 | 2,7 |
| 32 | 55 | 128 | 106 | 32 | 280 | 9 | M14 | F05 | 3,8 |
| 40 | 66 | 138 | 111 | 38 | 280 | 9 | M14 | F05 | 6,5 |
| 50 | 72 | 148 | 120 | 48 | 280 | 9 | M14 | F05 | 8 |
| 65 | 98 | 168 | 157 | 65 | 380 | 14 | M22 | F07 | 15 |
| 80 | 120 | 188 | 161 | 76 | 380 | 14 | M22 | F07 | 20 |
| 100 | 140 | 220 | 181 | 95 | 480 | 18 | M30 | F07 | 30 |
| 125 | 177 | 250 | 205 | 119 | 480 | 18 | M30 | F10 | 47 |
| 150 | 210 | 280 | 220 | 145 | 480 | 18 | M30 | F10 | 69 |

NA – Not available.



MATERIALS

| POS. Nº | DESIGNATION | MATERIAL MWS1 | MATERIAL MWi1 |
|---------|----------------|------------------------|------------------------|
| 1 | Body | ASTM A-105 / 1.0432 | AISI 316 / 1.4401 |
| 2 | Body cap | ASTM A-105 / 1.0432 | AISI 316 / 1.4401 |
| 3 | Stem | AISI 316 / 1.4401 | AISI 316 / 1.4401 |
| 4 | Ball | AISI 304 / 1.4301 | AISI 316 / 1.4401 |
| 5 | * Seat | PTFE/GR | PTFE/GR |
| 6 | * Body gasket | PTFE/GR | PTFE/GR |
| 7 | * Stem gasket | PTFE/GR | PTFE/GR |
| 8 | Gland | AISI 304 / 1.4301 | AISI 316 / 1.4401 |
| 9 | Lever | Zinc plated carbon st. | Zinc plated carbon st. |
| 10 | Gland nut | Steel 8.8 zinc plated | Steel 8.8 zinc plated |
| 11 | Washer springs | Spring steel | Spring steel |
| 12 | Stop pin | Zinc plated carbon st. | Zinc plated carbon st. |
| 13 | Stem o-ring | Viton | Viton |



* Available spare parts.