

THREE PIECES BALL VALVES M3S1

DESCRIPTION

M3S1 three pieces ball valves are isolating valves designed for use on steam, condensate and other gases and liquids compatible with the construction.

The valve is not designed as a control valve and should be used only as an isolating valve, fully open or fully closed.

Connections are threaded or socket welded



MAIN FEATURES

Full bore floating ball design.

Can be serviced without removal from pipeline.

Bidirectional.

Anti blow out proof stem.

Antistatic device.

OPTIONS: Different sealing materials.
Fire safe design.

USE: Steam, gases and liquids compatible with the construction.

AVAILABLE MODELS: M3S1 – Zinc plated carbon steel.

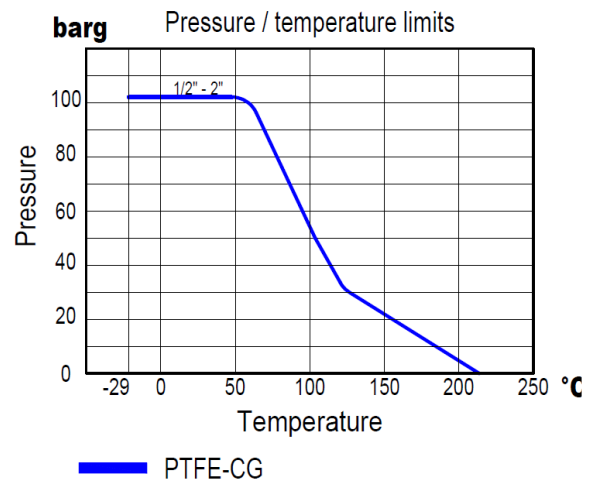
RATING: PN100.

SIZES: DN1/2" to DN 2".

CONNECTIONS: BSP female threads ISO 7/1 Rp (BS21).
NPT to ANSI B1.20.1.
SW - Socket weld to ANSI B16.11.
BW - Butt weld to ANSI B16.25).

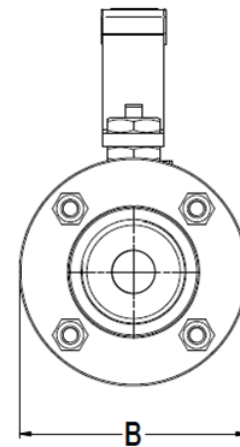
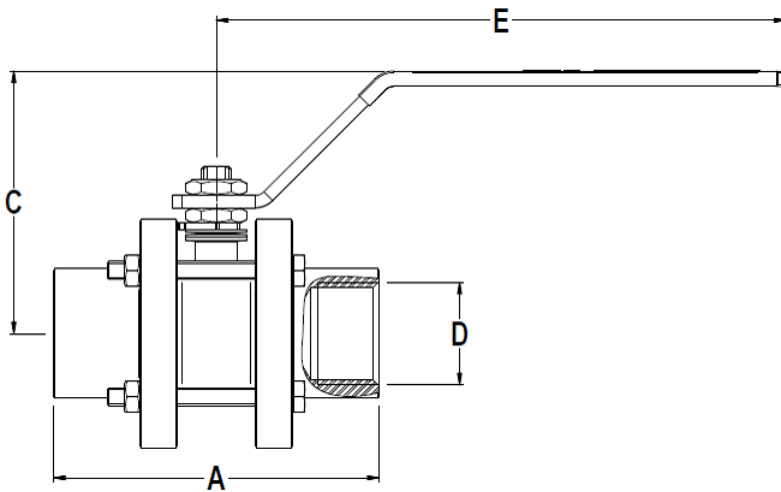
INSTALLATION: See IMI, installation and maintenance instructions.

CE MARKING (PED - European Directive)	
PN100	Category
DN 1/2" to 11/4"	SEP
DN 11/2" -2"	1 (CE Marked)

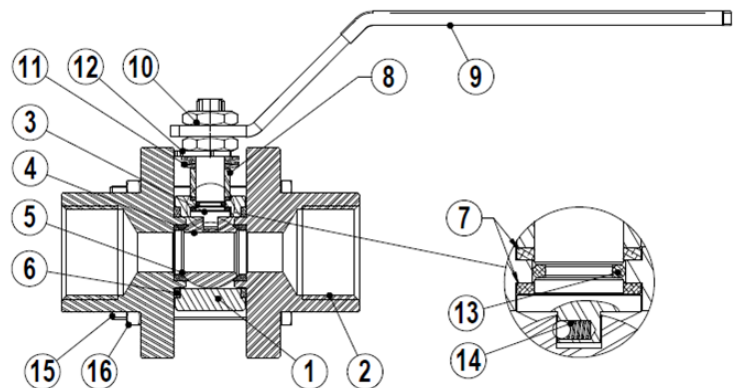


DIMENSIONS (mm)

SIZE DN	A	B	C	E	WGT. Kg
1/2"	80	60	75	145	0,7
3/4"	95	80	85	185	1,4
1"	105	90	85	185	2,2
1 1/4"	120	110	100	270	3,3
1 1/2"	130	120	110	270	4,3
2"	145	130	115	270	7,3


MATERIALS

POS.	DESIGNATION	MATERIAL M3S1
1	Body	ASTM A-105 / 1.0432
2	Body cap	ASTM A-105 / 1.0432
3	Stem	AISI 316 / 1.4401
4	Ball	AISI 304 / 1.4301
5	*Seat	** PTFE /GR
6	*Body gasket	PTFE/GR
7	*Stem gasket	PTFE/GR
8	Gland	AISI 304 / 1.4301
9	Lever	Zinc plated carbon st.
10	Gland nut	Steel 8.8 zinc plated
11	Washer springs	Spring steel
12	Stop plate	Zinc plated carbon st.
13	Stem o-ring	Viton
14	Anti-static device	AISI 304 / 1.4301
15	Bolts	Steel 8.8 Zinc plated
16	Nuts	Steel Cl.8 Zinc plated



* Available spare parts.

** PTFE/GR - Carbon graphite reinforced PTFE