

## BELLOWS SEALED STOP VALVES VF40

### DESCRIPTION

VF40 series are streamlined flow valves with bellows, outside screw no rising stem, maintenance free. They are specially recommended for steam, gas, liquid, condensate, thermal oil and water systems. Connections are flanged.

### MAIN FEATURES

Double wall bellows specially designed for high durability.  
Position indicator  
Lubricator  
Maintenance free  
Secondary safety sealing

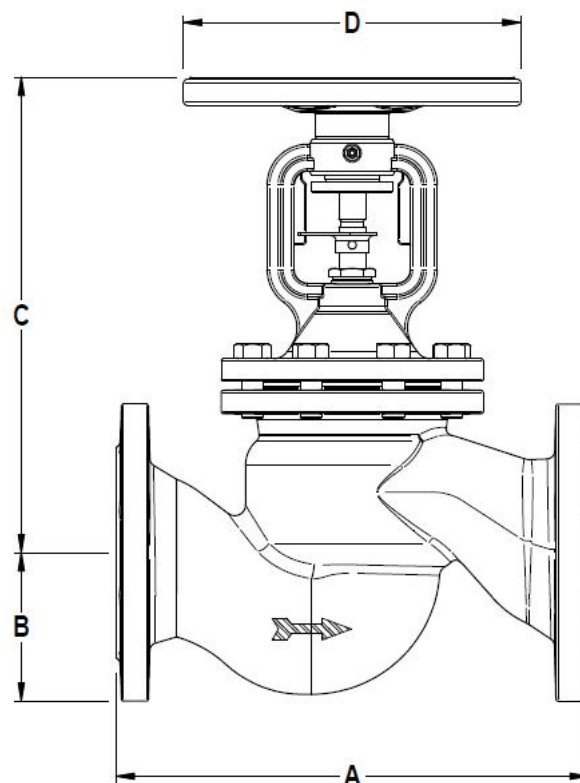


OPTIONS:	Parabolic plug
USE:	Steam, gases and liquids compatible with the construction.
AVAILABLE MODELS:	VF40 – Cast steel
RATING:	PN40
SIZES:	DN15 to DN 150
CONNECTIONS:	Flanged EN1092-1 PN40
INSTALLATION:	See IMI, installation and maintenance instructions.

LIMITING CONDITIONS VF 40	
ALLOWABLE PRESSURES	RELATED TEMPERATURE
30 bar	-20 ° C
40 bar	-10 /50° C
37,1 bar	100 °C
33,3 bar	200 °C
26,7 bar	300 °C

CE MARKING (PED - European Directive 97/23/EC)	
PN 40	Category
DN15 to DN32	SEP - art. 3, paragraph3
DN40 to DN100	1 (CE Marked)
DN125 to DN150	2 (CE Marked)

DIMENSIONS (mm)						
SIZE DN	A	B	C	D	WGT. Kgs	Kv m3/h
15	130	47,5	189	120	4,3	4,3
20	150	52,5	189	120	5,1	7
25	160	57,5	189	120	5,8	11
32	180	70	220	160	9,5	17,5
40	200	75	220	160	9,8	27
50	230	82,5	295	195	17,5	47
65	290	92,5	295	195	20,5	68
80	310	100	368	280	34	116
100	350	117,5	368	280	44	162
125	400	135	523	350	77	250
150	480	150	523	350	110	364



MATERIALS		
POS.	DESIGNATION	MATERIAL VF40
1	Body	GP240GH
2	Seat	GP240GH
3	* Spindle	St.Steel
4	* Disc	St.Steel
5	Bonnet	GP240GH
6	* Bellows	St.Steel
7	* Gasket	St.Steel/Graphite
8	* Packing	Graphite
9	Gland	ZincPl.Steel
10	Anti-friction disc	ZincPl.Steel
11	Handwheel	Cast iron
12	Bolts	A2-70

\* Available spare parts.

