

**PIPELINE UNIVERSAL CONNECTORS
UCX 41
(DN 1/2" - 1")**

DESCRIPTION

The UCX series pipeline connectors are used in steam systems where a simplified and economical maintenance program is desired.

Typical installations are drip service on steam lines, tracing and small process equipment.

Two bolt flange connector permits trap replacement in minutes without disturbing the piping.

The UCX connector fits the universal swivel connector steam traps.

Connections are female screwed or flanged on request.

MAIN FEATURES

Remains permanently in-line making the replacement of new traps easier and quicker.

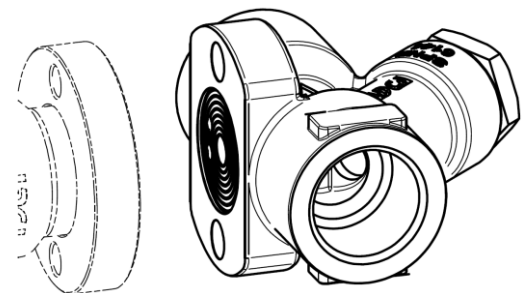
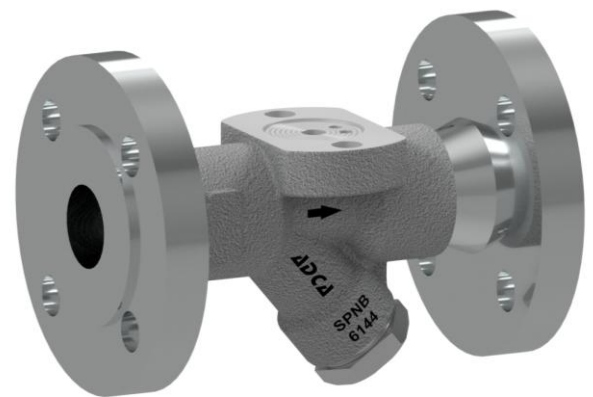
Steam traps can swivel 360° allowing any pipe orientation during installation.

The universal flange allows the trap to be positioned in the correct position, regardless of pipeline configuration.

Built-in strainer.

- OPTIONS:** Flanged connections.
Blowdown valve.
- USE:** Saturated and superheated steam.
- AVAILABLE MODELS:** UCX41 - Stainless steel construction.
- SIZES:** DN 1/2" to DN1"; DN15 to DN25.
- CONNECTIONS:** Female screwed ISO 7/1 Rp (BS21).

INSTALLATION: With the connection face for the swivel connector in a vertical plane (mechanical steam traps), alternative horizontal plane for thermostatic steam traps.

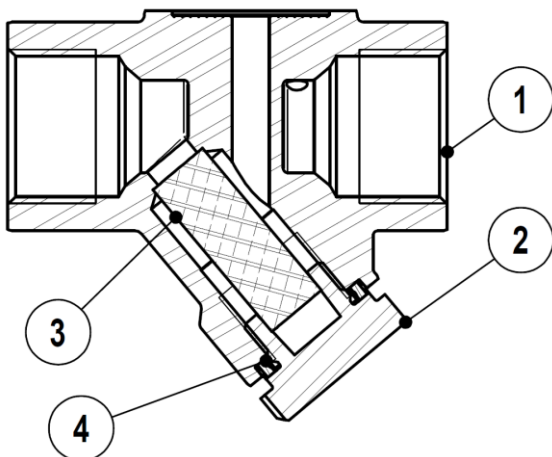
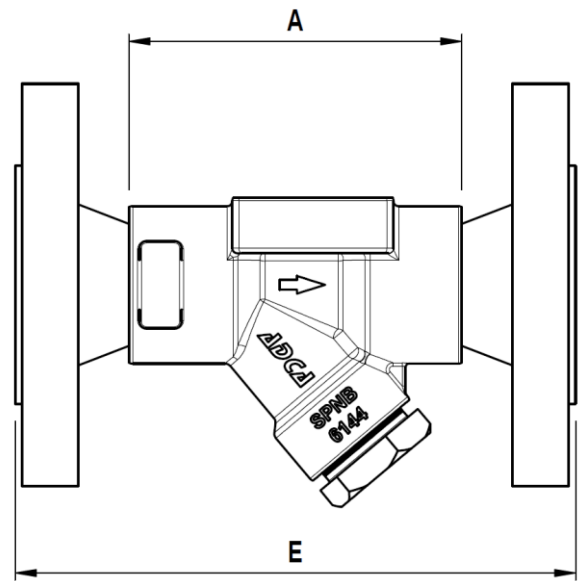
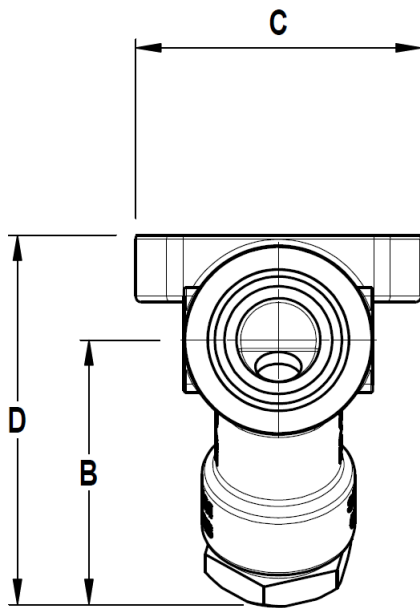


LIMITING CONDITIONS				
Threaded and SW	FLANGED PN 40 *	FLANGED ANSI 150# **	FLANGED ANSI 300# ** *	RELATED TEMP.
ALLOW. PRESS.	ALLOW. PRESS.	ALLOW. PRESS.	ALLOW. PRESS.	
47,8 bar	40 bar	18,3 bar	47,8 bar	-10 /50° C
40,9 bar	34,4 bar	15,7 bar	40,9 bar	100 °C
34,4 bar	28 bar	13,2 bar	34,4 bar	200 °C
30,6 bar	24,1 bar	10,2 bar	30,6 bar	300 °C
28,6 bar	22 bar	6,5 bar	28,6 bar	400 °C

* According to EN1092-1:2007; ** according to EN1759-1:2004.

DIMENSIONS (mm)											
Screwed and SW *						EN PN16/PN40		ANSI 150		ANSI 300	
SIZE DN	A	B	C	D	WGT. Kgs	E	WGT. Kgs	E	WGT. Kgs	E	WGT. Kgs
15-1/2"	80	63	68	88	1	150	2,4	150	2	150	2,4
20-3/4"	80	63	68	88	1	150	3	150	2,5	150	3,3
25-1"	95	63	68	88	1,1	160	3,6	160	3,1	160	3,8

* BW (butt weld) on request.



MATERIALS		
POS.Nr.	DESIGNATION	MATERIAL
1	Body	CF8 / 1.4308
2	Stainer cap	AISI304 / 1.4301
3	* Strainer screen	AISI304 / 1.4301
4	* Gasket	AISI304 / 1.4301

* Available spare parts