

THERMOSTATIC STEAM TRAPS AND AIR ELIMINATORS TH35/2 – TH35/3

DESCRIPTION

The TH35 series thermostatic steam traps and air eliminators are specifically designed for use on process equipment such as kettle cookers, sterilizers, food, chemical and laundry equipment. Connections are female screwed or flanged.

MAIN FEATURES

Modulating discharge.
Discharges condensate close to steam temperature.
Excellent air discharge.
Operates on moderate superheated steam.
Built-in strainer.

OPTIONS: Stainless steel construction.
USE: Saturated steam.
AVAILABLE MODELS: TH35/2 – 2 capsules.
TH35/3 – 3 capsules.
SIZES: 1" – DN 25.
CONNECTIONS: Female screwed ISO 7/1 Rp (BS21).
Flanged EN 1092-1 PN40 or ANSI.



CE MARKING (PED – European Directive)	
PN40	Category
1" – DN 25	SEP

BODY LIMITING CONDITIONS		
FLANGED PN40/ANSI 300 lb *	FLANGED ANSI 150 lb **	RELAT. TEMP.
ALLOW. PRESS.	ALLOW. PRESS.	
40 bar	19,3 bar	50 °C
35 bar	15,8 bar	150 °C
30,4 bar	12,1 bar	250 °C
27,6 bar	10,2 bar	300 °C

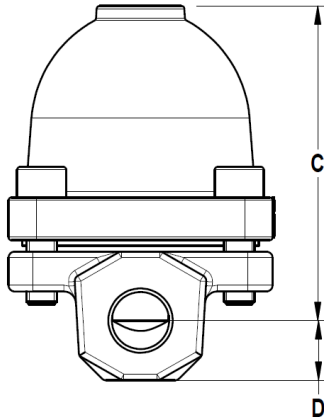
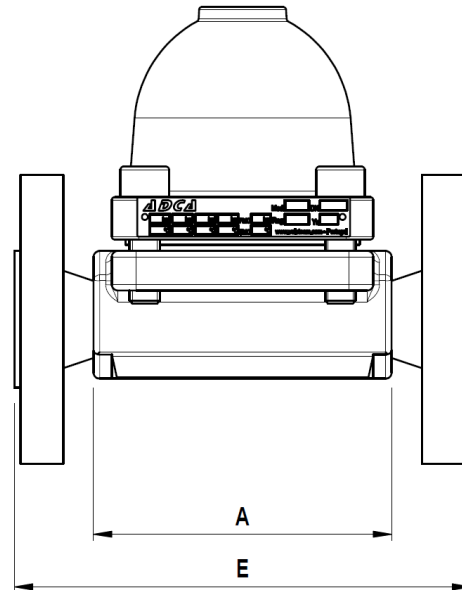
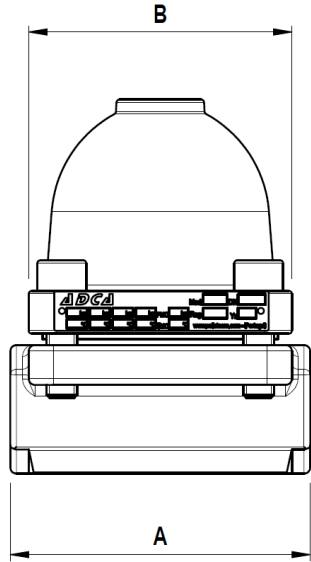
PMO – Max. operating pressure 22 bar
TMO – Max. operating temperature 250 °C
* According to EN1092-1:2018;
** Acc. to EN1759-1:2004;
Body limiting conditions PN40 or below, depending on the type of connection adopted;
Rating PN40 for thread, SW and BW.

FLOW RATE CAPACITY (kg/h)																
MODEL	SIZE	DIFFERENTIAL PRESSURE (bar)														
		0,2	0,3	0,5	1	1,5	2	3	4	6	8	10	13	15	20	22
TH35/2	1" – DN 25	140	240	280	510	660	770	910	1020	1200	1340	1400	1440	1500	1550	1590
TH35/3	1" – DN 25	210	360	420	765	990	1155	1365	1530	1800	2010	2100	2160	2250	2325	2385

Capacities shown refer to condensate at 5 °C below saturated steam temperature.
Capacities for cold condensate discharge at 20 °C are two to three times greater.

DIMENSIONS (mm)											
SIZE	Screwed and SW*					PN16/40		ANSI 150 lb		ANSI 300 lb	
	A	B	C	D	WGT. (kg)	E	WGT. (kg)	E	WGT. (kg)	E	WGT. (kg)
1" DN 25	95	98	103	20	2,8	160	5,4	160	5	160	6,6

* BW on request.



MATERIALS		
POS. N°	DESIGNATION	MATERIAL
1	Body	P250GH / 1.0460
2	Cover	P250GH / 1.0460
3	* Gasket	Stainless steel / Graphite
4	* Valve seat	AISI 304 / 1.4301
5	* Thermostats	Stainless steel
6	* Strainer screen	AISI 304 / 1.4301
7	* Gasket	Copper
8	Bolts	Steel 8.8

* Available spare parts.

