

INVERTED BUCKET STEAM TRAPS IB30S

DESCRIPTION

The IB30 series inverted bucket steam traps are recommended for applications where the most important requirements are overall operating efficiency and long, trouble-free service life. They operate intermittently, either wide open or tightly closed and are, therefore, best suited for medium and high steam pressure applications.

MAIN FEATURES

Intermittent discharge.
Discharges condensate at steam temperature.
Unaffected by water hammer and vibrations.
Easy to maintain.

USE: Saturated and superheated steam.

AVAILABLE MODELS: IB30S.

SIZES: 1 1/2" to 2"; DN 40 to DN 50.

CONNECTIONS: Female threaded ISO 7 Rp.
Flanged EN 1092-1 PN25.
Flanged ANSI B16.5 class 150 lb or 300 lb.
Special flanges on request.

INSTALLATION: Vertical installation.
See IMI – Installation and Maintenance Instructions.

MAX. DIFFERENTIAL PRESSURE

IB30 - 4 : 4 bar
IB30 - 8 : 8 bar
IB30-12 : 12 bar



BODY LIMITING CONDITIONS

FLANGED PN25 / ANSI 300 lb *	FLANGED / ANSI 150 lb **	RELATED TEMP.
ALLOWABLE PRESSURE	ALLOWABLE PRESSURE	
23,2 bar	15,4 bar	100 °C
20,8 bar	13,8 bar	200 °C
19 bar	12,1 bar	250 °C
17,2 bar	10,2 bar	300 °C

PMO – Max. operating pressure 17 bar;
TMO – Max. operating temperature 220 °C.

* According to EN1092-1:2018;

** According to EN1759-1:2004.

Body limiting conditions PN25 or below, depending on the type of connection adopted. Rating PN25 for thread, SW and BW.

CE MARKING – GROUP 2 (PED – European Directive)

PN16	PN25	Category
1 1/2" to 2" DN 40 to DN 50	1 1/2" to 2" DN 40 to DN 50	1 (CE marked)

FLOW RATE CAPACITY (kg/h)

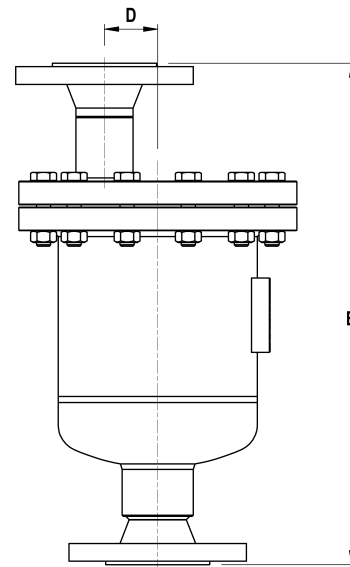
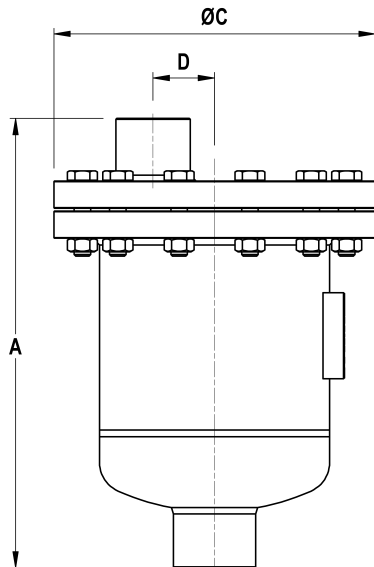
MODEL	SIZE	DIFFERENTIAL PRESSURE (bar)											
		1	2	3	4	5	6	7	8	10	11	12	
IB30-4	1 1/2" to 2" DN 40 to DN 50	2200	2770	3220	3570	–	–	–	–	–	–	–	–
IB30-8	1 1/2" to 2" DN 40 to DN 50	1850	2200	2560	2800	3070	3300	3500	3700	–	–	–	–
IB30-12	1 1/2" to 2" DN 40 to DN 50	1150	1500	1720	1880	2050	2200	2325	2470	2670	2820	2900	–

Recommended safety factor: continuous service = 1,2 – 1,5; discontinuous service = 2 – 3.

DIMENSIONS (mm)

SIZE	THREADED / SW *				PN16/25		ANSI 150 lb		ANSI 300 lb	
	A	C	D	WEIGHT (kg)	B	WEIGHT (kg)	B	WEIGHT (kg)	B	WEIGHT (kg)
1 1/2" – DN 40	330	235	45	17,5	425	21,6	442	21,3	448	23,4
2" – DN 50	338	235	45	18	428	23,5	444	23,6	450	24,9

* BW on request.



MATERIALS

POS. N°	DESIGNATION	MATERIAL
1	Body	S355J2G3 / 1.0570
2	Cover	P235GH / 1.0345
3	* Gasket	Graphite
4	* Seat	AISI 420 / 1.4021
5	* Valve	AISI 420 / 1.4021
6	* Lever	AISI 304 / 1.4301
7	* Bucket	AISI 304 / 1.4301
8	Inlet tube	P235GH / 1.0345
9	Bolts	Steel 8.8

* Available spare parts.

